



Scan to go to website

CL-8P Quick Start Guide

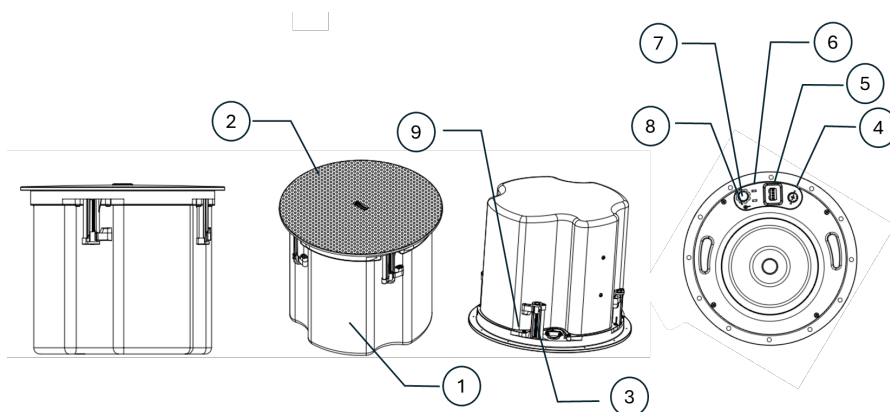
This guide helps you install and use your CL-8P for the first time.

Go to <http://www.kramerav.com/downloads/CL-8P> to download the latest user manual and check if firmware upgrades are available.

Step 1: Check what's in the box

- ✔ 1 CL-8P 8" Ceiling Speaker
- ✔ 2 magnetic girls (1 white & 1 black)
- ✔ 1 4-pin pluggable Euroblock connector, 28-12AWG
- ✔ 1 C-ring + 2 bolts (mounting rails not included)
- ✔ 1 UL-compliant cable passthrough (metallic)
- ✔ 1 Silicon cable passthrough
- ✔ Zip tie for securing the speaker cable
- ✔ 1 Cut-out template
- ✔ 1 Quick start guide

Step 2: Get to know your CL-8P



#	Feature	Function
1	Speaker	Speakers body
2	Grill	Speaker's grill
3	Mounting clamps (dog ears)	To be tightened against the back of the ceiling surface to hold the speaker in place
4	Transformer tap selector	For selecting between 8Ω low-impedance modes and 70V/100V high-impedance modes
5	Terminal connector	4-pin pluggable Euroblock connector, 28-12AWG for connecting the speaker cables
6	Cable tie points	Cable anchor points for strain relief
7	Grill securing hook	Hook for securing the magnetic grill
8	Cable passthrough	Passthrough hole for speaker cable
9	Safety anchor point	Safety anchor points for securing a seismic restraint cable

Step 3: Key Features

- Premium sound with high SPL
- Low-impedance (8Ω) / high-impedance (70V/100V)
- Power ratings: 60 W (rms) continuous / 90 W (rms) peak
- Sensitivity (1W@1m, free field): 90dB SPL
- Maximum SPL (@1m): Continuous: 108dB SPL / Peak: 110dB SPL
- Plenum rated - UL2043 certified / UL1480A certified for indoor installations and
- Industrial design: Black & white bezel-less grills included in the box, removable logo
- Eco-friendly mono-material packaging

Step 4: Achieving the Best Performance

To achieve the best performance:

- Use only good quality speaker cables (we recommend Kramer high-performance low smoke halogen free cables, BC-2Sxx/LSHF).
 - Do not secure the cables in tight bundles or roll the slack into tight coils.
 - Avoid interference from neighboring electrical appliances that may adversely influence signal quality.
-

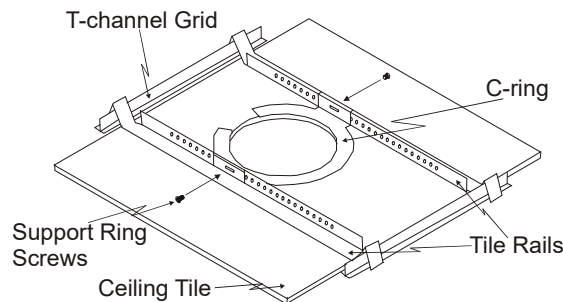
Step 5: Choosing the Best Location

- Plan the location of the speakers based on the designated listening area.
 - Ceiling Type Suitability: Ensure the ceiling is appropriate for mounting the speaker weight.
 - Obstruction Check: Verify the mounting location is free of obstructions like electrical piping, AC ducts, or water lines.
 - Ceiling Clearance: ensure you have sufficient ceiling clearance for installing the speaker.
-

Step 6: Unpacking

1. Carefully remove the speaker and mounting accessories from the packaging.
 2. Inspect all components for damage before proceeding.
 3. Dispose of the packaging materials according to regulations.
-

Step 7: Mounting the Speaker



- **Step 1: Mark and Cut the Ceiling Tile**
Use the supplied cutting template to mark the speaker hole on the ceiling tile, then carefully cut along the line.
- **Step 2: Place the C-Ring and Mounting Rails**
Position the C-ring above the ceiling tile, aligned with the cutout. Slide the mounting rails into the C-ring slots, but do not tighten the screws yet.
- **Step 3: Place the Tile into the Ceiling Grid**
Place the tile (with the C-ring and mounting rails loosely in place) in the ceiling grid.
- **Step 4: Adjust and Secure the Mounting Rails**
Slide the mounting rails so they rest securely on the ceiling grid framework. Once in place, fasten them to the C-ring using the supplied screws.
- **Step 5: Insert the Speaker**
Insert the speaker into the cutout, making sure it fits properly through the C-ring.
- **Step 6: Tighten the Mounting Clamps (Dog Ears)**
Gently tighten the mounting clamps so they swing out and secure the speaker to the ceiling tile. Do not overtighten.
- **Step 7: Pass the Speaker Cable**
Route the speaker cable through the passthrough hole and the supplied grommet.
- **Step 8: Connect the Wires**
Connect the speaker wires to the front-access terminal block, ensuring correct polarity.
- **Step 9: Secure the Cable & passthrough gromet**
Use the provided zip tie and cable support ears to secure the cable to the speaker and relieve strain.
- **Step 10: Set the Transformer Tap**
Use the selector to set the appropriate power tap for your installation.
- **Step 11: Place the magnetic grill**
Connect the safety wire of the magnetic grill to the grill securing hook and place the grill in place.

Step 8: Wiring the Speaker

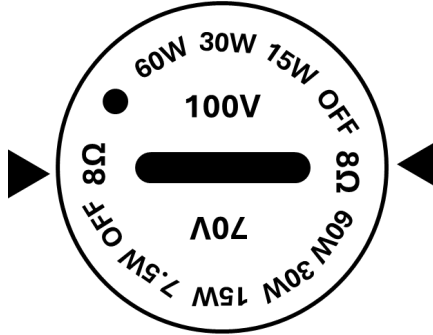
Your passive speaker features both low impedance (8Ω) and high impedance (70V/100V) modes. Understanding the difference is essential for safe installation and optimal performance.

- Plan the installation setup (low impedance or high impedance), in case of high impedance determine the rated power of the speaker.

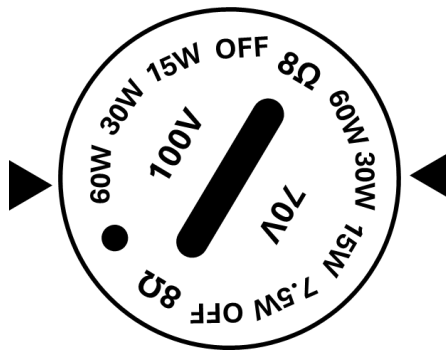
Setting up speaker power handling mode:

Your speaker includes a rotary transformer tap for setting the power handling mode.

- To set the speaker to 8Ω low impedance set the transformer tap so the 2 arrows will point at the 8Ω markings as shown in the picture:



- To set the speaker to a high impedance mode set the transformer tap to the desired power rating as shown in the picture. In this example, if the speaker will be connected to a 100V line its power rating will be 60W and if connected to a 70V line its power rating will be 30W.



- Connect the speaker cables to the terminal block and the terminal block to the speaker.



Always power off the amplifier before changing transformer tap settings or connecting the terminal connector to the speaker.



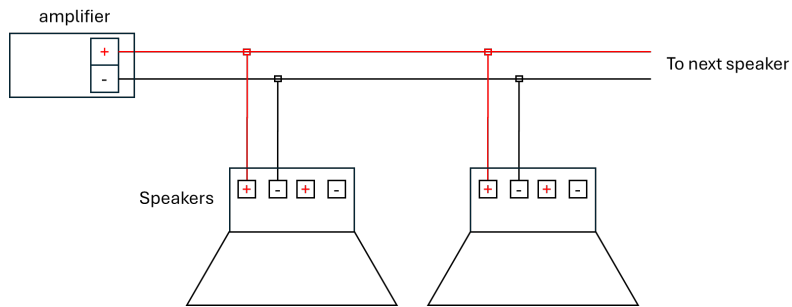
Always check amplifier compatibility before connecting (impedance setup, power ratings).



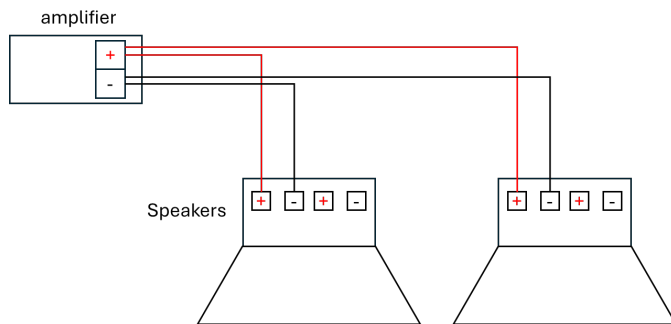
Verify that the polarity of the wiring at the amplifier side and at all the speaker is correct, we recommend using color coding: red for + and black for -.

Parallel Wiring and Daisy Chain Installations

Parallel Wiring



Parallel Wiring - Separate Cables



Daisy Chain Wiring

